

8 Port Sensor Expansion Unit (E-IS8)



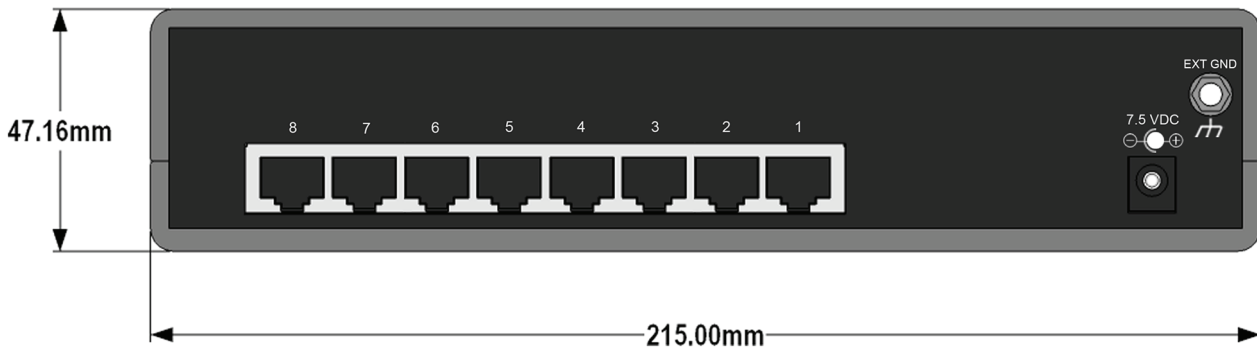
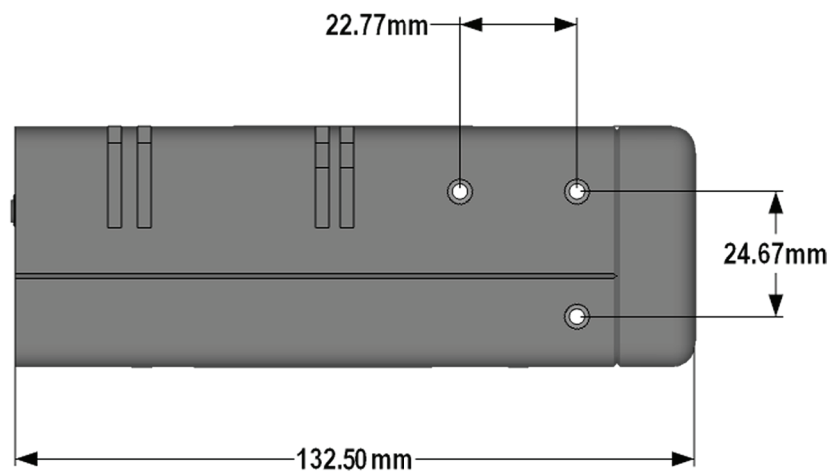
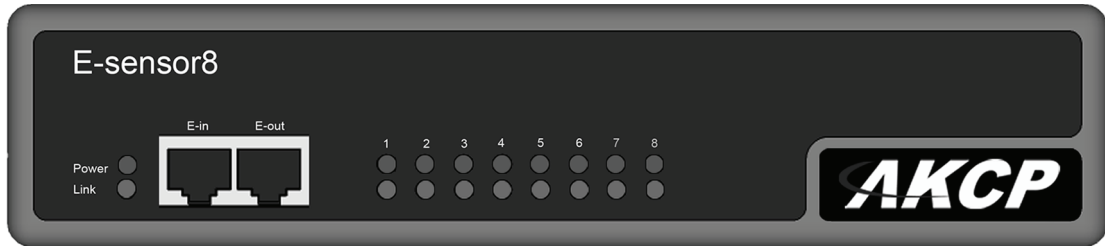
Expand the securityProbe with more sensor ports.

securityProbe devices come with 8 sensor ports as. Should you need more sensor ports, the most cost effective way is to add E-Sensor8 expansion units. Up to 1,000ft (300m) cable length can be used between the securityProbe and the E-Sensor8. Additional expansion units can be daisychained with up to 1,000ft (300m) between each unit. A maximum of 600 total sensor points can be monitored from a single securityProbe. E-Sensor8 EXP unit is also compatible with the sensorProbeX+

Technical Specification

Dimension	Size 8.5" x 5.43" x 1.80" Weight 0.8 Kg
Expansion Port	2x RJ-45 Expansion Ports 115.2K bps Data Transfer Rate
Mounting	1U Rack Mount Standard Rack mount brackets included Compatible with AKCP's DIN and rack mount trays
Power	External 7.0 - 9 VDC 3A Power Adapter Input Voltage and Current ratings : 100V~240V - 1A Typical 5.025 Watt, 0.67A
Status Indication	LED indication for power LED for Expansion port connectivity LED for sensor online and threshold status
Components	Manufactured using highly integrated, low power surface mount technology to ensure long term reliability.
Operating Environment	Temp : Min. -35° C – Max. +55° C Humidity : Min. 20% – Max. 80% (Non-Condensing)
MTBF	400,000 Hours
Inputs	8x RJ-45 ports for connecting AKCP sensors 1x RJ-45 expansion module input (E-in)
Outputs	Configurable output signals (0VDC/5VDC) on any of the 8 RJ-45 sensor ports 1 RJ-45 expansion module output (E-out)
E-Modules	<ul style="list-style-type: none"> * Daisy chain multiple E-modules including E-sensor8 and E-opto16 combined * Uses standard RJ-45 connections and CAT5 LAN cable * Maximum extension cable run length: 300 meters (1000 feet) * Compatible with AKCP's complete line of intelligent sensors * Connect up to 500 AKCP intelligent sensors to one securityProbe5ES * Connect up to 150 AKCP intelligent sensors to one sensorProbe+ (up to 4 expansion units)

E-IS8 - Technical Drawing



E-IS8 with 1U rackmount brackets

