



# Power Monitoring Sensor (PMS)

The AKCP Power Monitor Sensor gives vital information and allows you to remotely monitor power eliminating the need for manual power audits as well as providing immediate alerts to potential problems.

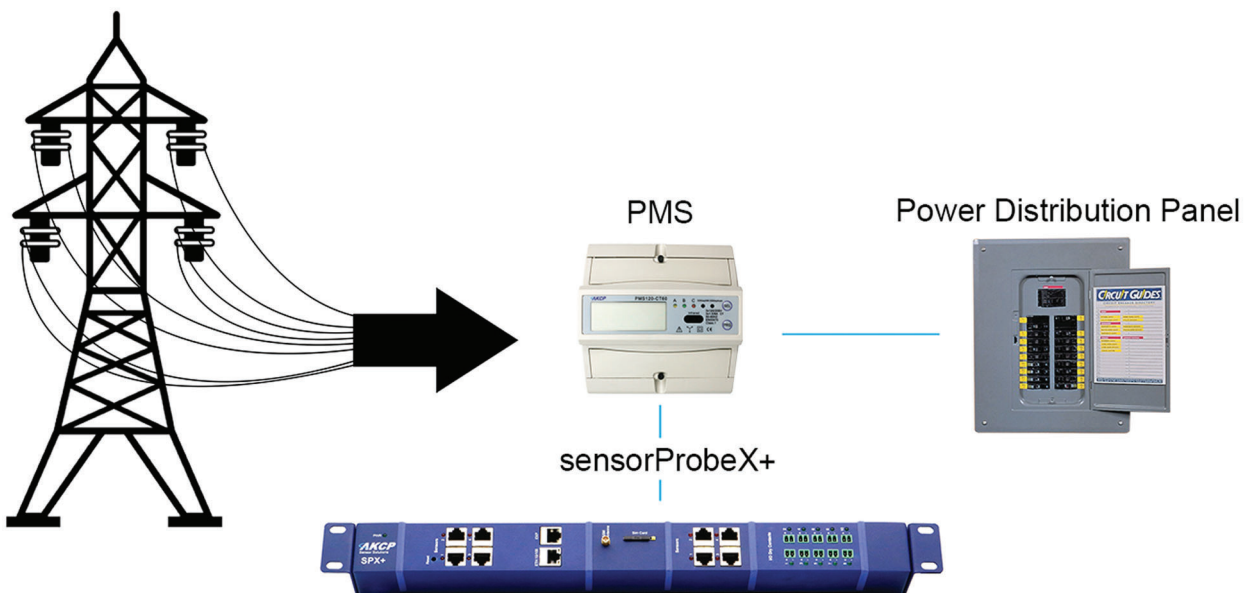
It has been integrated into the base unit web interface with its own "Power Management" menu, allowing up to six three phase and fourteen single phase Power Monitor Sensors to be set up on a single securityProbe or SPX+. More PMS can be connected to a single base unit depending on what readings are required.



Data collected over time using the Power Monitor sensor can also be viewed using the built in graphing tool. Combining this durable Power Monitor Sensor with the SPX+ or securityProbe base unit creates an IP-enabled power monitoring capable of monitoring:

- Phase Line Voltages
- Current
- Power Factor
- Active Energy
- Active Power

## Technical Diagram



## PMS - Technical Specification

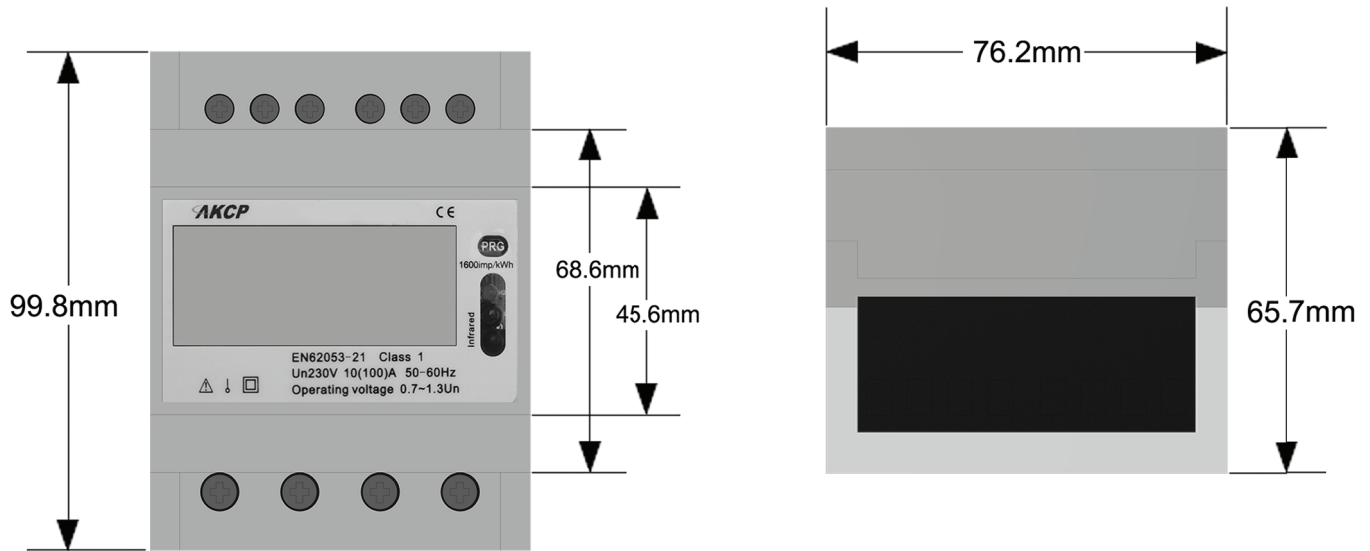


	Single Phase Meter	Three Phase Meter	Three Phase Meter - CT Type
<b>Voltage (V)</b>			
Rated Voltage (Un)	230V AC	230/400V AC (3~)	230/400V AC (3~)
Operational Voltage Range	0.7~1.3Un	161/279-300/520V AC (3~)	161/279-300/520V AC (3~)
<b>Current (A)</b>			
Basic Current (Ib)	10A	10A	1.5A
Maximum Current	100A	100A	6A
Operational Current Range	0.4% Ib-I <sub>max</sub>	0.4% Ib- I <sub>max</sub>	0.4% Ib- I <sub>max</sub>
Over Current Withstand	30I <sub>max</sub> for 0.01s	30I <sub>max</sub> for 0.01s	30I <sub>max</sub> for 0.01s
Internal Power Consumption	≤2W / 10VA	≤2W / 10VA per phase	≤2W / 10VA per phase
<b>Frequency (Hz)</b>			
Operational Frequency Range	5~60Hz ±10%	50Hz ±10%	50Hz ±10%
<b>Operating Environment</b>			
Operating humidity	< 75%	< 75%	< 75%
Operating temperature	-10°C - +50°C	-10°C - +50°C	-10°C - +50°C
International standard	IEC 62053-21	IEC 62053-21	IEC 62053-21
<b>Accuracy Class</b>			
Voltage	±0.5%	±0.5%	±0.5%
Amps	±0.5%	±0.5%	±0.5%
Frequency (Hz)	±0.2%	±0.2%	±0.2%
<b>Dimensions</b>			
Height	100 mm	130 mm	130 mm
Width	76 mm	126 mm	126 mm
Depth	65.5 mm	65 mm	65 mm
Max Diameter Cable	11.5 mm		
Weight	0.35 Kg	0.7 Kg (net)	0.7 Kg (net)



**PMS - Technical Drawing**

**Single Phase**



**Three Phase**

